

Bionova

by Nova Vizantija

# Indoor/outdoor vent less tabletop fireplace based on evaporated ethanol combustion technology

*designed and produced according to DIN 4734-1 standard*

Model: Round Burner S - Tabletop

Materials :

Stainless Steel ( quality 1.4301 )

Ceramic fibres evaporator

Equiped with one piece molded tank

Fuel: Bioethanol 96% v/v

Features:

Tank size - 0,8 l

Burning time - up to 4 h \*

Fuel consumption - approximately 0,20 l/hour \*

Thermal output - up to 1 Kw \*

Required room volume - 20 m<sup>3</sup> \*

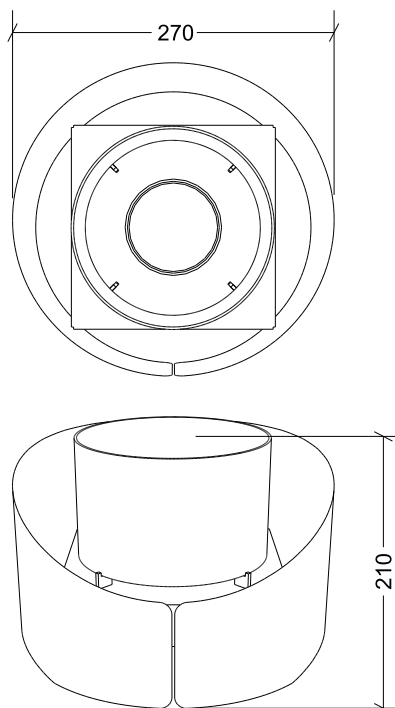
Weight: 3,2 kg

Weight with full tank : Up to 4 kg

\* The efficiency data has approximate value depending on the weather conditions,  
installation point and bioethanol used



Dimensions:



Nova Vizantija ▪ Svetogorska 12 ▪ Belgrade ▪ Serbia

Tel/fax +381 11 406 43 78 ▪ www.bionova.rs ▪ e-mail: info@bionova.rs