

Bionova

by Nova Vizantija

Indoor vent less fireplace burner based on evaporated ethanol combustion technology

*Designed, manufactured, and tested according to DIN 4734-1 standard
Compliant with EN 16647 norm*

Model: Box Burner L

Materials :
Stainless Steel (quality 1.4301)
body equip with one piece molded tank

Ceramic fibres evaporator

Fuel: Bioethanol 96% v/v

Features:

Flame size regulation by sliding mechanism

Tank size - 2,95 l

Burning time - up to 6 h on maximum setting *

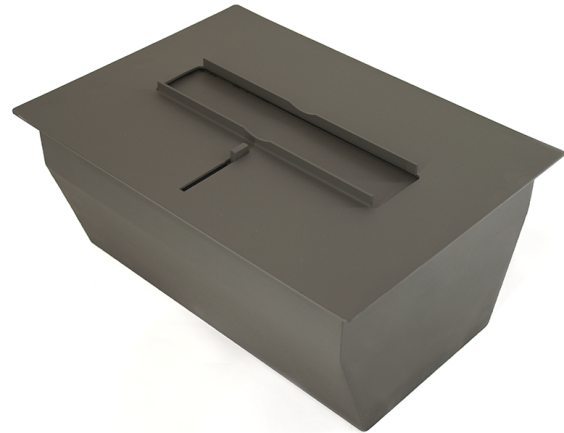
Fuel consumption - approximately 0,40 l/hour on maximum setting *

Thermal output - up to 3 Kw on maximum setting *

In case of indoor use required room volume - 70 m³

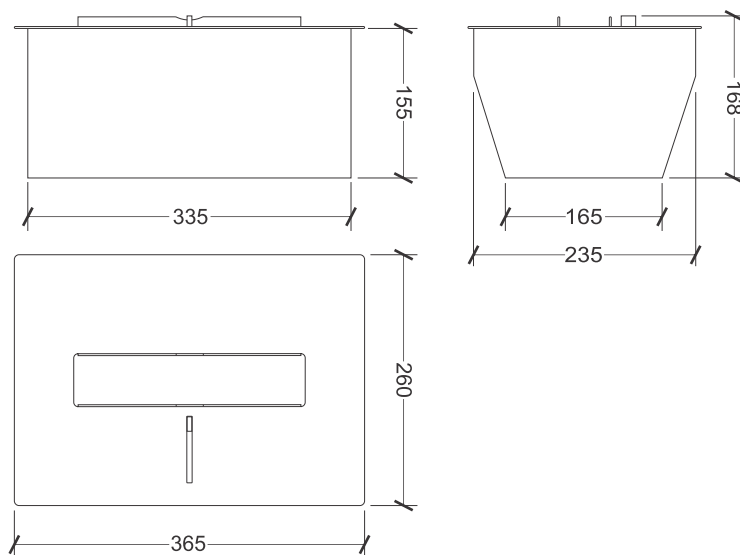
Weight - 6 kg

Weight with full tank - Up to 8.5 kg



* The efficiency data has approximate value depending on the weather conditions, installation point and bioethanol used

Dimensions:



Nova Vizantija ▪ Svetogorska 12 ▪ Belgrade ▪ Serbia

Tel: +381 11 406 43 78 ▪ web: bionova.rs ▪ e-mail: bionova@bionova.rs