

Bionova

by Nova Vizantija

# Outdoor vent less fireplace burner based on evaporated ethanol combustion technology

*Designed, manufactured, and tested according to DIN 4734-1 standard  
Compliant with EN 16647 norm*

Model: Round Burner L - OS

Materials :

Stainless Steel ( quality 1.4301 ) body equip  
with one piece molded tank

Ceramic fibres evaporator

Fuel: Denatured Bioethanol 96% v/v

Features:

Stainless steel closing lid

Tank size - 2,95 l

Burning time - up to 6 h \*

Fuel consumption - approximately 0,40 l/hour \*

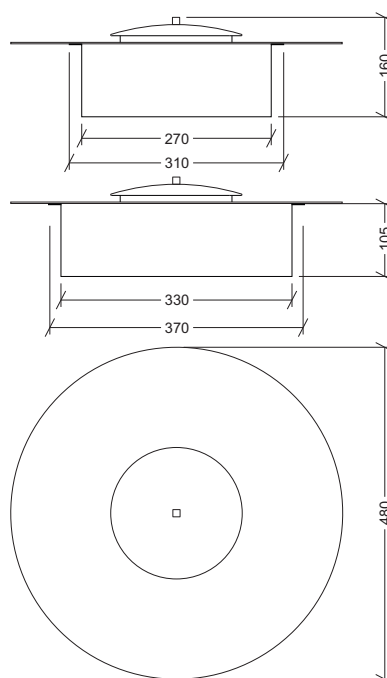
Thermal output - up to 3 Kw \*

In case of indoor use required room size - 70 m<sup>3</sup>

Weight: Up to 8 kg depending on fuel level

\* The efficiency data has approximate value depending on the weather conditions,  
installation point and bioethanol used

Dimensions:



Nova Vizantija ▪ Svetogorska 12 ▪ Belgrade ▪ Serbia

Tel: +381 11 406 43 78 ▪ web: [bionova.rs](http://bionova.rs) ▪ e-mail: [bionova@bionova.rs](mailto:bionova@bionova.rs)