

Bionova

by Nova Vizantija

Indoor/outdoor vent less tabletop fireplace based on evaporated ethanol combustion technology

Designed, manufactured, and tested according to DIN 4734-1 standard

Compliant with EN 16647 norm

Model: Round Burner S - Tabletop

Materials :

Stainless Steel (quality 1.4301)

Ceramic fibres evaporator

Equiped with one piece molded tank

Fuel: Bioethanol 96% v/v

Features:

Tank size - 0,8 l

Burning time - up to 4 h *

Fuel consumption - approximately 0,20 l/hour *

Thermal output - up to 1 Kw *

Required room volume - 20 m³ *

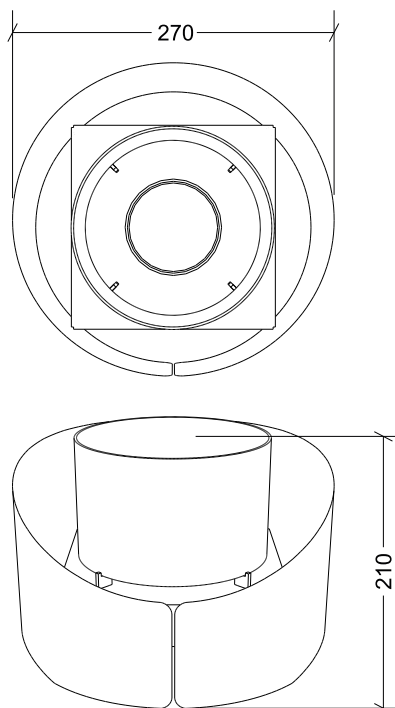
Weight: 3,2 kg

Weight with full tank : Up to 4 kg

* The efficiency data has approximate value depending on the weather conditions, installation point and bioethanol used



Dimensions:



Nova Vizantija ▪ Svetogorska 12 ▪ Belgrade ▪ Serbia

Tel: +381 11 406 43 78 ▪ web: bionova.rs ▪ e-mail: bionova@bionova.rs